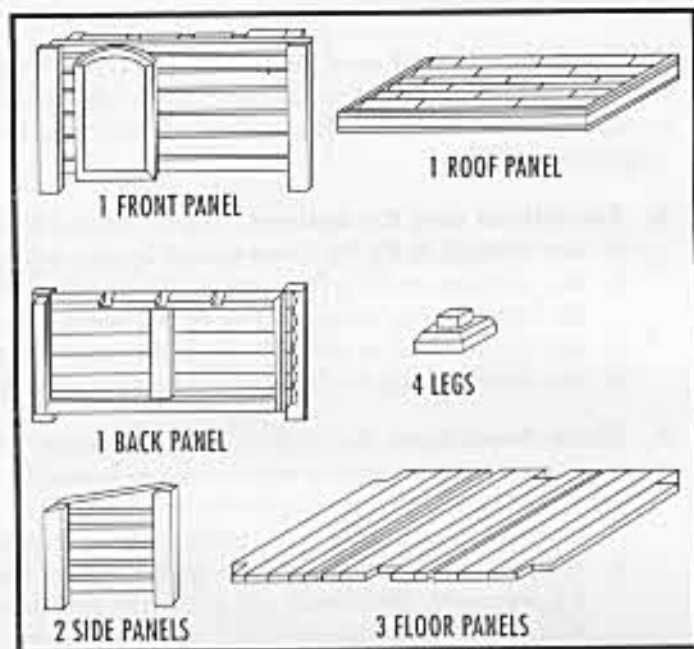
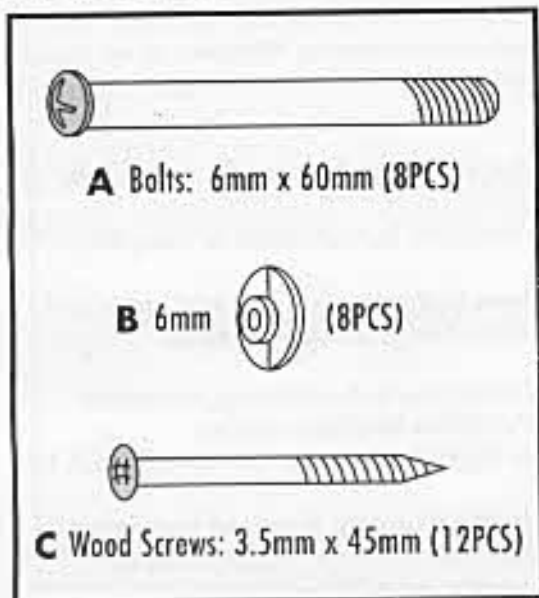


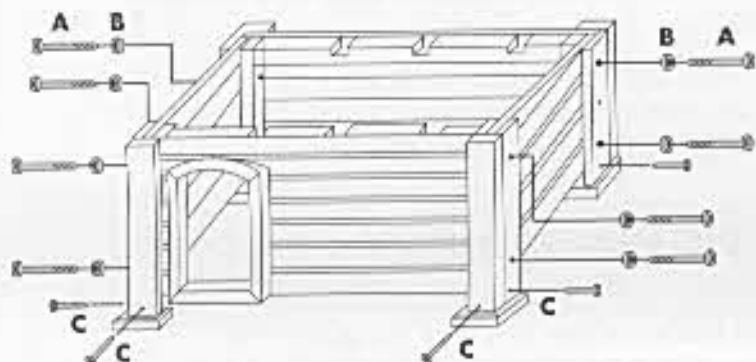
extreme
OUTBACK
Log Cabin

PRECISION
PET PRODUCTS
"Making a Better World for Pets"

THIS BOX CONTAINS THESE PARTS:

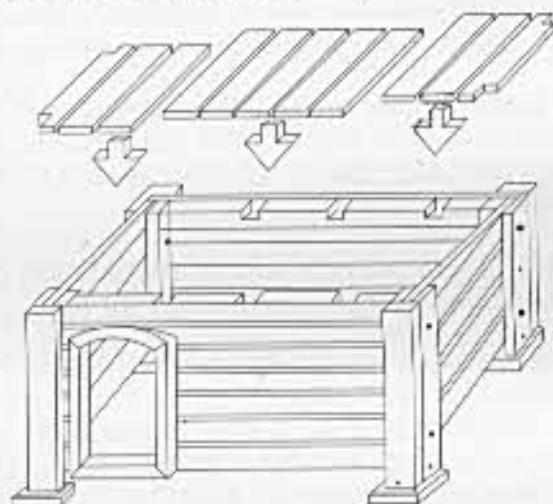


Assembly Instructions * Screwdriver Needed for Assembly



Step 1 - Secure Side Panels

- Fasten side panels to front & back panels.
- Turn cabin over.
- Put one leg under each corner & attach with screws.



Step 2 - Drop in Floors



Step 3 - Attach Roof

- Place roof panel on cabin & secure with screws.
- Floors may be removed through door after roof is attached.



COMPLETED CABIN