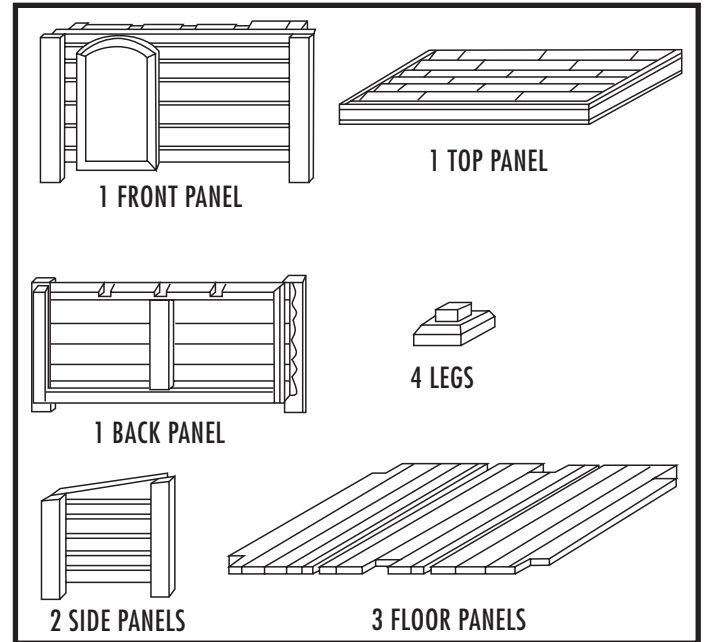
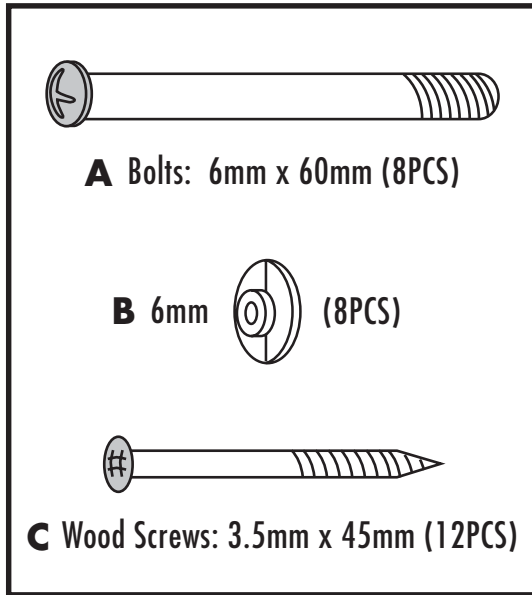


OUTBACK Log Cabin

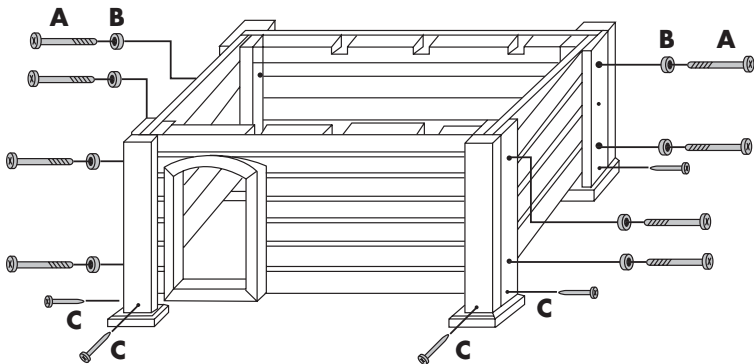
PRECISION
PET PRODUCTS

Los Angeles, California 800.397.3167
www.precisionpet.com

THIS BOX CONTAINS THESE PARTS:

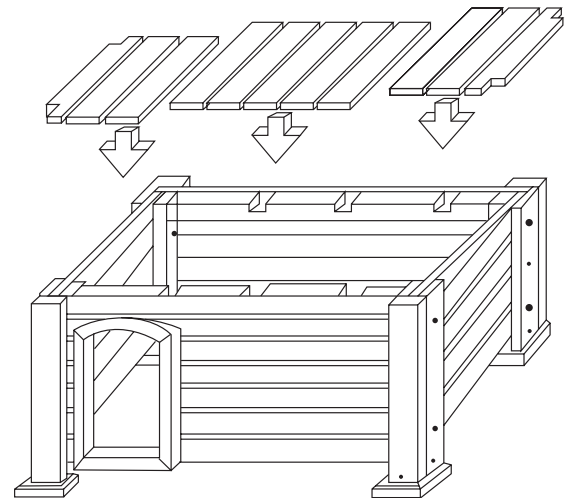


Assembly Instructions

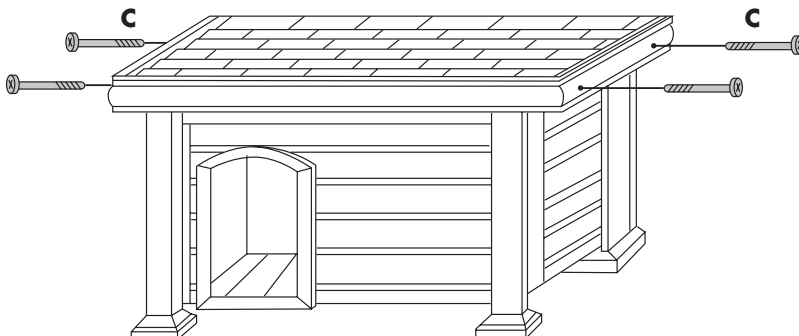


Step 1 - Secure Side Panels

- Fasten side panels to front & back panels.
- Turn cabin over.
- Put one leg under each corner & attach with screws.

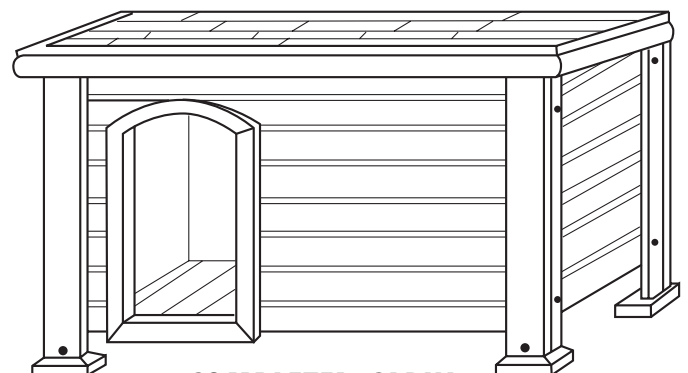


Step 2 - Drop in Floors



Step 3 - Attach Roof

- Place roof panel on cabin & secure with screws.
- Floors may be removed through door after roof is attached.



COMPLETED CABIN