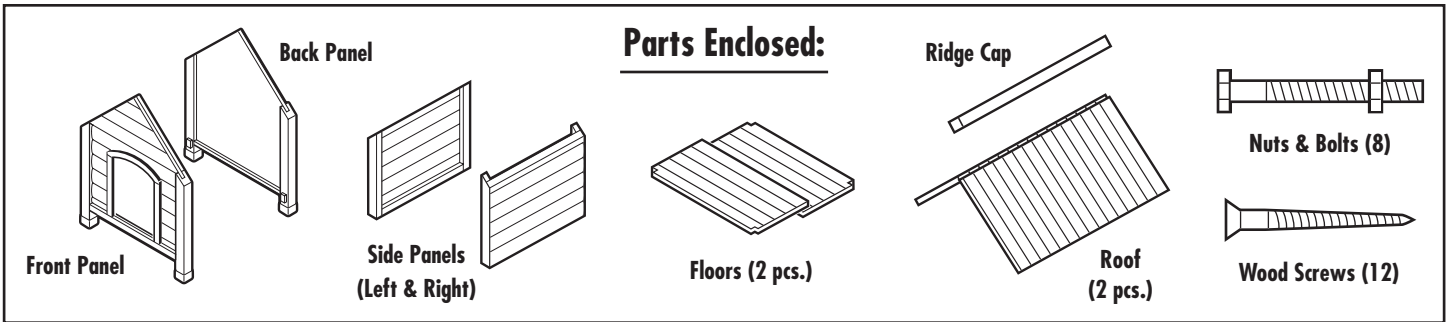


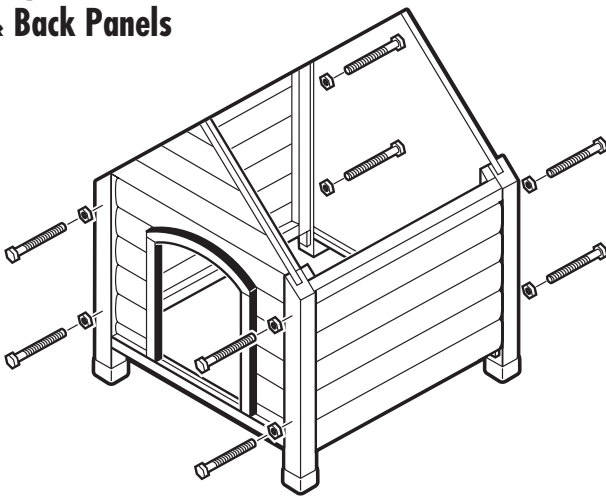
OUTBACK Country Lodge™

Simple Set-Up

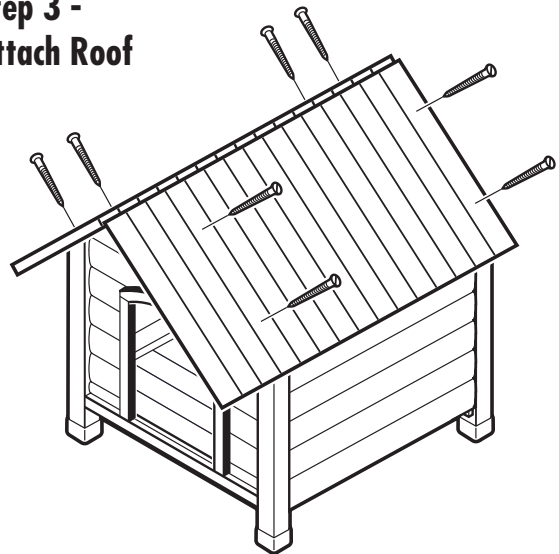
* Screwdriver Needed for Assembly



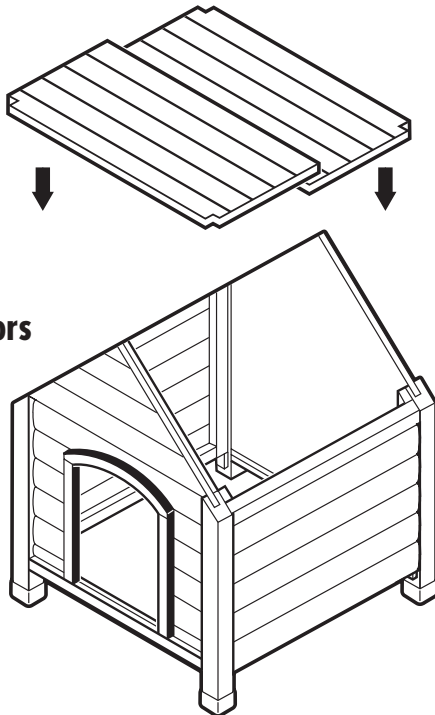
Step 1 - Secure Front & Back Panels



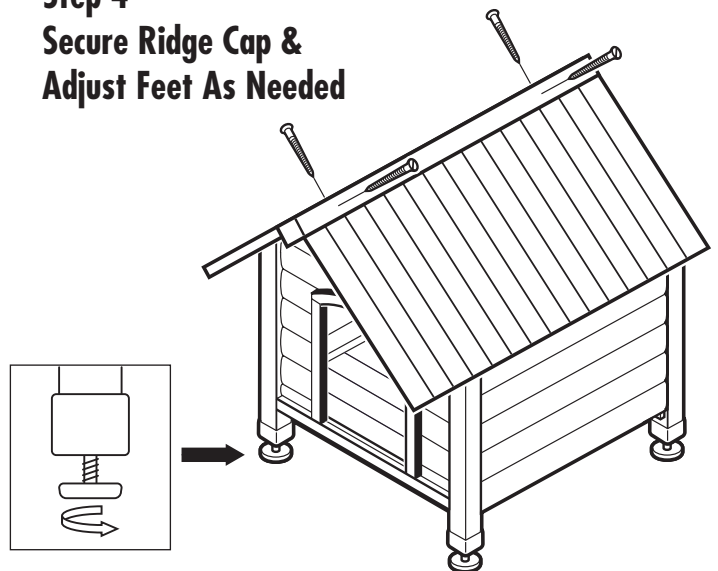
Step 3 - Attach Roof



Step 2 - Drop in Floors



Step 4 - Secure Ridge Cap & Adjust Feet As Needed



* Floors may be removed through door after roof is attached

PRECISION
PET PRODUCTS
"Making a Better World for Pets"